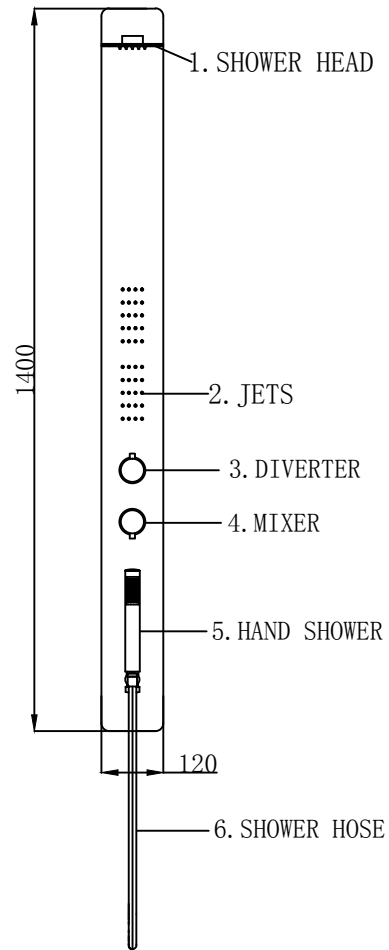
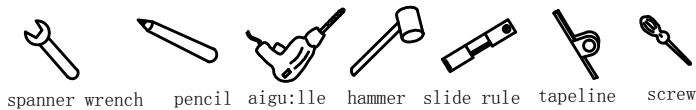


INSTALLATION MANUAL

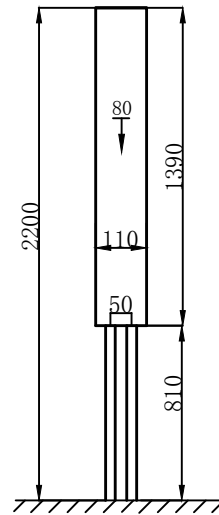
LTA034-2A



TOOLS

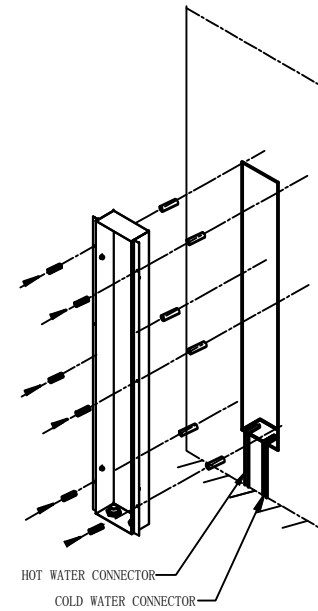


1



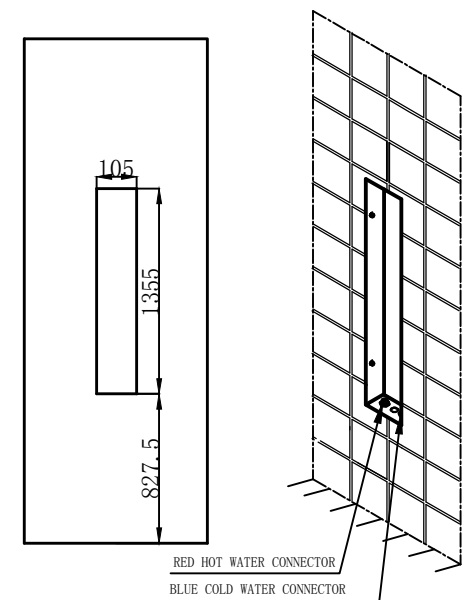
△ First carved a rectangular embedded lots (L1390mm*W110mm*H80mm) in the wall at the height of 810mm from ground. Please carve according to the pipeline map as diagram 1.

2



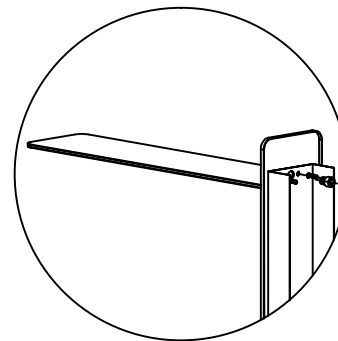
△ Put the concealed box into the slot on the wall, and fixed with the screws (no slipping, no loosening).

3

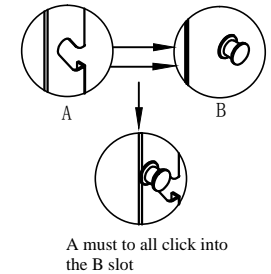
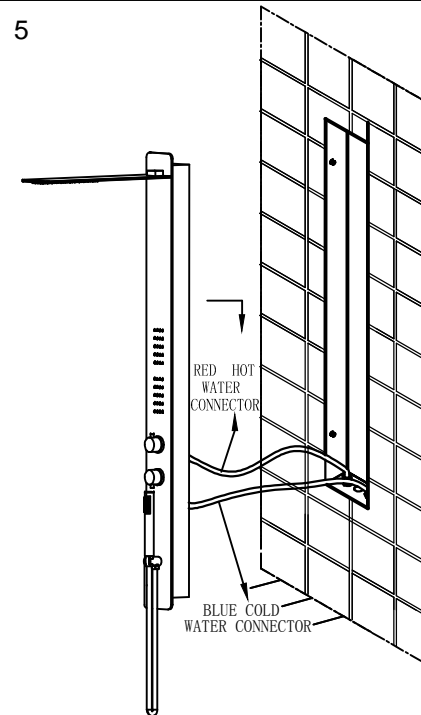


△ Linked the hot and cold water pipes, then tighten the screws (Attention: Filter washer must be installed to avoid dirt clogging), finally, paste up the tiles as the picture shows.

4



5



△ Link the hot and cold water pipes accurately (please clean up the foreign body of connecting pipes before installation, and hang up the preassembled panel components in accordance with the picture shows (A must to all click into the B slot).

NOTES:

1. Reasonable use of this product by technical parameters.
For a more rational use of this product.
Here recommended the storage-type electric water heater.

Maintenance considerations:

1. After the installation, please dredge it with cold water and repeat opening and closing to make sure the installation meets the requirements and no irregularities, then use the hot water.
2. Only allows to use soft cloth to clean the water stains and dirt on the surface of the panel.
3. Not use any acidic or alkaline cleaners or will corrode the surface.
4. While the water is highly contaminated, please stop using to avoid plug the water hole.
5. If you encounter a small shower water, please clean the filter gasket of the inlet valve.

